

# evolve.

## USER MANUAL



**25** MIN  
Flight Time

**1200** M  
Flight Range

**FHD**  
1080p Video

AUTOPILOT  
**NAVIGATION**

AUTO  
**GIMBAL**

BRUSHLESS  
**MOTORS**

**ZERO-X** | **PRO**



# CONTENTS

<b>1.0 WELCOME</b>	<b>4</b>
1.1 BEFORE YOU GET UP IN THE AIR	4
1.2 GENERAL SAFETY	4
<b>2.0 PRODUCT CONTENTS</b>	<b>5</b>
2.1 PRODUCT OVERVIEW	5
2.2 CONTROLLER OVERVIEW	6
<b>3.0 BATTERY SAFETY</b>	<b>7</b>
<b>4.0 INSTALLING THE BATTERY</b>	<b>9</b>
<b>5.0 INSTALLING A MICRO SD CARD*</b>	<b>9</b>
5.1 REPLACING ROTOR BLADES	10
5.2 FOLDING/UNFOLDING The Evolve Drone	10
5.3 REMOTE CONTROL	11
<b>6.0 FLIGHT SAFETY</b>	<b>11</b>
<b>7.0 FLYING YOUR EVOLVE DRONE</b>	<b>11</b>
7.1 FLYING THE DRONE WITHOUT GPS	12
7.2 FLYING THE DRONE WITH GPS	13
<b>8.0 BASIC FLIGHT</b>	<b>15</b>
<b>9.0 TRIMMING WITH NO GPS</b>	<b>15</b>
<b>10.0 SPEED MODE</b>	<b>16</b>
<b>11.0 CAMERA ANGLE ADJUSTABLE</b>	<b>16</b>
<b>12.0 TAKING OFF / LANDING &amp; EMERGENCY LANDING</b>	<b>16</b>
<b>13.0 HEADLESS MODE</b>	<b>17</b>
<b>14.0 FLY AROUND-ME MODE</b>	<b>18</b>
<b>15.0 ZERO-X PRO EVOLVE APP</b>	<b>18</b>
<b>16.0 FOLLOW ME MODE (GPS MODE ENABLED)</b>	<b>19</b>
16.1 ACTIVE TRACK	19
16.2 WAY POINT FLIGHT (GPS MODE ENABLED)	20
16.3 RETURN HOME (GPS MODE ENABLED)	20
16.4 PHOTO MODE	21
16.5 VIDEO MODE	21
16.6 VIEWING PHOTOS AND VIDEOS	21
16.7 HAND GESTURE	21

<b>17.0 ACTIVATING SEARCH FUNCTION FOR THE LOST EVOLVE DRONE.....</b>	<b>21</b>
17.1 DRONE MAINTENANCE .....	22
17.2 REPLACEMENT PARTS.....	22
<b>18.0 WARRANTY TERMS &amp; CONDITIONS.....</b>	<b>23</b>
<b>19.0 NOTES.....</b>	<b>24</b>



## 1.0 WELCOME

Thank You for a purchasing a Zero-X Pro Evolve Drone. The Zero-X Pro range has been specifically designed to provide the intermediate to advanced user with a great flight experience. Please take the time to read the following safety warnings and operating instructions carefully.

## 1.1 BEFORE YOU GET UP IN THE AIR

Before you familiarise yourself with the Zero-X Pro Evolve Drone, we ask that you read "**BATTERY SAFETY**" on page 7 before you start charging your drone's battery.

### **WARNING:**

**PLEASE DO NOT MOVE THE CAMERA MANUALLY AS IT CAN DAMAGE THE GIMBAL AND CAMERA.**

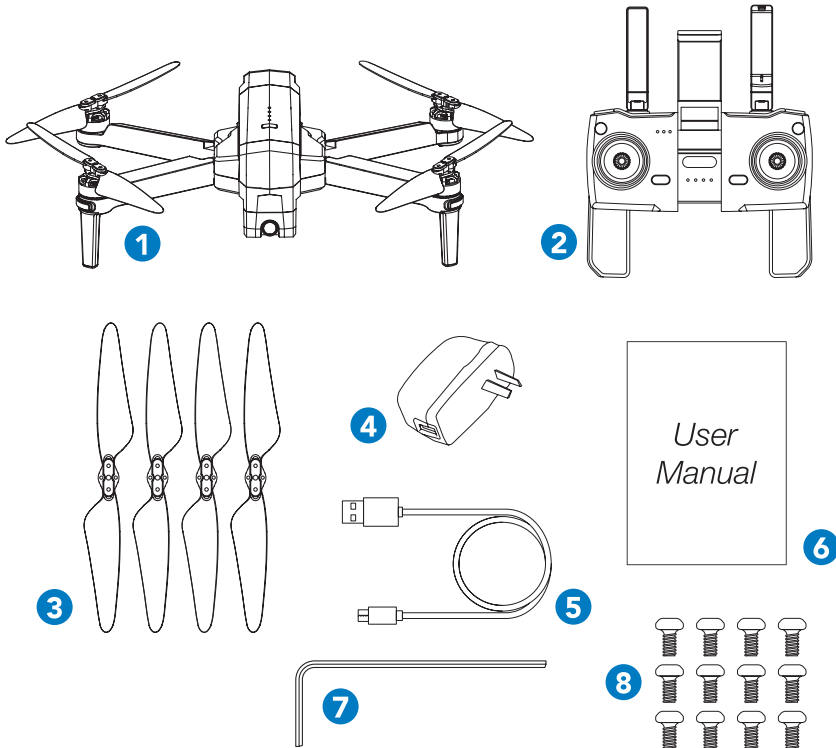
## 1.2 GENERAL SAFETY

Please familiarise yourself with your local legislation regarding drone usage before you begin using your Zero-X Pro Evolve Drone. Included in the package contents of your Zero-X Pro Evolve Drone are the Australian CASA guidelines, please read carefully and understand this information as operating a drone outside of these guidelines may result in legal issues. Zero-X takes no responsibility for operation of this product outside of what is legally permissible in your area.

- Do not fly your Evolve Drone any closer than 30 metres from people, animals or buildings. Check to make sure you are no closer than 5.5 kilometres from any airfields or airports. For more information on CASA's Australian legislation visit: <http://www.casa.gov.au/>
- You must not fly your drone higher than 120 metres (400 ft) above the ground.
- You must only fly during the day and keep your drone within visual line-of sight
- For information outside Australia please visit the website of your local aviation authority.
- Do not attempt to modify the Evolve Drone or any of its components in any way, doing so will void your warranty and may affect the operation of the drone.
- Do not use the Evolve Drone in any conditions that could affect, damage or impair your view of the Evolve Drone wet, dusty or sandy. These elements will damage the components of your Evolve Drone.
- Please do not attempt to touch the Evolve Drone when the Remote Control is powered on, or if the rotor blades are turning.
- When flying your Evolve Drone, please keep in mind the privacy of others.

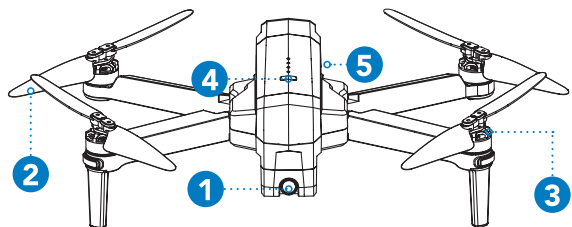
## 2.0 PRODUCT CONTENTS

1. Evolve Drone
2. Remote Control
3. Rotor Blades x 4
4. USB AC Wall Charger
5. USB Charging Cable
6. User Manual
7. Allen Key
8. Screws



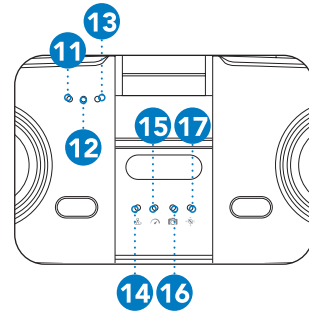
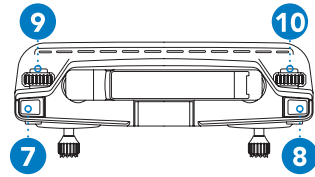
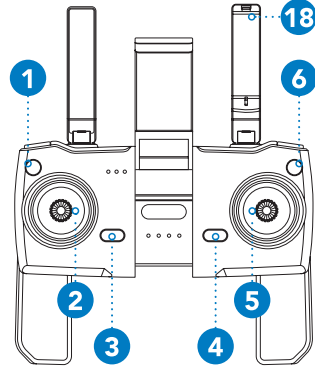
## 2.1 PRODUCT OVERVIEW

1. Camera
2. Rotor blades
3. Motor
4. Power Button
5. Battery Release Buttons

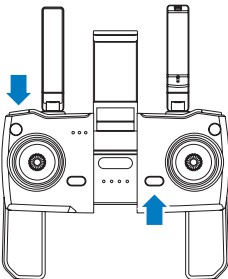


## 2.2 CONTROLLER OVERVIEW

1. Headless Mode
2. Left Thumb Stick (Ascend/Descend, Yaw left/Right)
3. Return to Home
4. Power Button
5. Direction Controls (Forward/Backward, left/Right)
6. Take Off/Landing Button/ Emergency Stop
7. Photo
8. Video
9. Speed Select
10. Camera Up/Down
11. Full Charging: Green light
12. Charging: Red Light
13. Power Light: White
14. Return Home
15. Speed
16. Photo/Video
17. Headless Mode/Trim
18. Antenna



If you need to switch from default mode, please push the photo button and hold, then turn the controller on. Switching from default mode, following functions will swap:



Evolve/Descend > Forward/Backward  
 Forward/Backward > Evolve/Descend



## IMPORTANT INFORMATION - PLEASE READ BEFORE USE

### 3.0 BATTERY SAFETY

When handled incorrectly, Lithium polymer batteries can be dangerous and can potentially harm and do damage to persons or property. Zero-X does not accept any liability for damage to persons or property if the battery is not correctly charged, stored or protected.

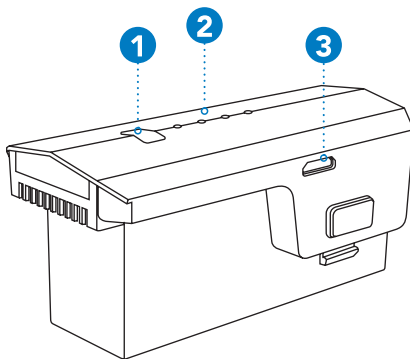
- Always unwind all cables before charging.
- Do not over charge the battery. Once the charging process is completed, remove the battery from the charger as soon as possible.
- Only use the included or replacement Zero-X Evolve chargers and batteries.
- You must charge the Lithium polymer battery in a safe area away from flammable materials.
- The battery is only to be charged under adult supervision, do not leave charging batteries unattended. You should always remain in constant observation to monitor the charging process and react immediately to any potential problems that may occur.
- Do not charge the battery in temperatures hotter than 40°C or colder than 0°C.
- Do not cover the batteries when charging. Do not leave batteries in direct sunlight.
- After each flight & or crash, please check battery for any damage or swelling.
- If the battery is damaged, leaking, making noise, punctured or malformed in any way DO NOT attempt to use it. Please dispose of the battery immediately and safely in the correct manner.
- Do not bend, puncture, crush or scratch the drone's battery. Do not store batteries in your pockets, on your person or in extreme temperatures.
- After flying/discharging the battery you must allow it to cool to ambient/room temperature before recharging.
- If at any time during the charge or discharge process the battery begins to balloon or swell, discontinue charging or discharging immediately. Quickly and safely disconnect the battery, then place it in a safe, open area away from flammable materials to observe it for at least 15 minutes. Continuing to charge or discharge a battery that has begun to balloon or swell can result in a fire. A battery that has ballooned or swollen even a small amount must be removed from service completely.
- Never plug in a battery and leave it to charge unattended overnight.
- Non-compliance with the above warnings may result in the failure of the battery.

**PLEASE NOTE: YOUR ZERO-X DRONE COMES WITH A CERTIFIED ZERO-X USB AC CHARGING ADAPTER FOR 240v CHARGING OF YOUR DRONE BATTERY. USE OF A NON ZERO-X CERTIFIED USB AC CHARGING ADAPTER WILL VOID YOUR WARRANTY AND MAY DAMAGE BOTH YOUR BATTERY AND DRONE.**

Press the buckle and pull out the battery from the your Evolve.  
Connect the drone battery to the charging cable the light on the battery will become blue blinking when in charging. The light on the battery will become solid blue once charging is complete. Once the battery is in a low power state, the blue power indicator will start flashing. At this time, please fly back the Drone immediately and charge the battery to avoid unnecessarily loosing your drone.

To keep the battery life as long as possible avoid removing the battery from the charging cable before charging is complete. If you have just finished flying your Evolve drone, please allow the battery to cool down for at least 30 minutes before recharging.

1. The Evolve battery may take up to 4 hours to charge. If the battery has been on charge for any longer than 5 hours and the indicator on the charging cable is not showing that the battery is charged, please remove the battery from the charger.
2. When the Evolve battery has finished charging it is advised that the battery is removed form the charger as soon as possible. Overcharging will damage the battery and effect the flight time.



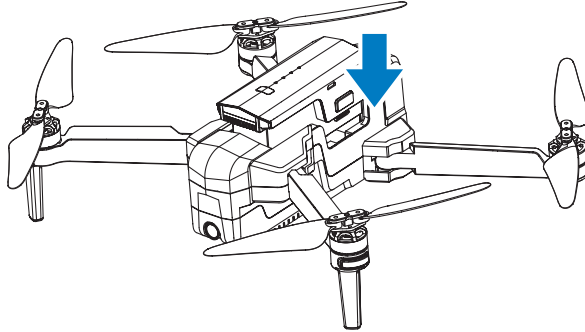
1. Battery on/off button
2. Battery power indicator
3. USB charging port

**Low → High**



#### 4.0 INSTALLING THE BATTERY

1. Ensure that the battery is fully charged.
2. Insert the battery into the middle of drone in the correct orientation.
3. Slide the battery all the way down until it securely slots into place.

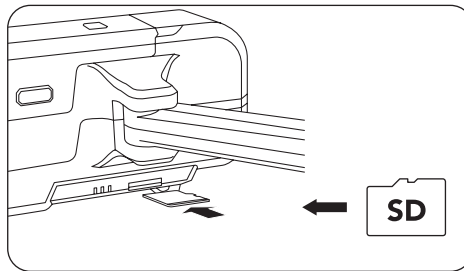


#### NOTE

- Do not force the battery, if the battery is not fitting into position, please check that you have the battery in the correct orientation.

#### 5.0 INSTALLING A MICRO SD CARD\*

The Micro SD Card slot is on the right bottom side of the drone. Slot the Micro SD Card into the slot on the right side of the Evolve with the Micro SD Card copper contacts facing toward the drone. Gently press the card in until you hear the lock click into place.



#### REMOVING A MICRO SD CARD

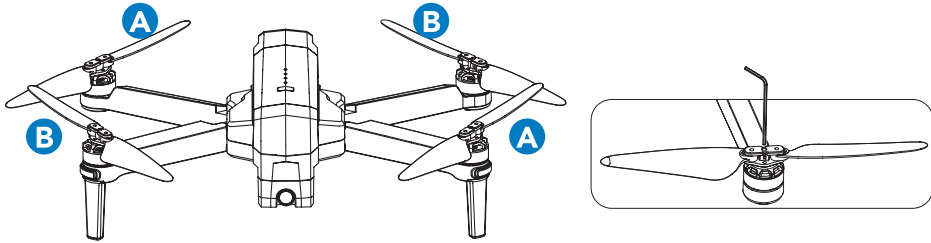
To remove your Micro SD Card, follow the instructions below.

1. Press the Micro SD Card in until a click is heard and the card releases.
2. The card will now release and the Micro SD Card will now be removable. (Micro SD Card not included)\*.

## 5.1 REPLACING ROTOR BLADES

To remove and replace the rotor blades, please follow the instructions below.

1. Unscrew the screw on the side of the rotor blade you want to replace by using the provided Allen key. It is advised that you replace the blades one at a time to avoid losing screws or installing blades incorrectly.
2. Remove the blade by gently pulling the blade away from the motor stem.
3. Replace the rotor blade with a replacement blade marking sure to match with motors.
4. Firmly press the blade into position making sure that you have aligned the motor stem with the hole in the rotor blade.
5. Lock the blade position by re attaching the screw that was removed in step 1 making sure not to over tighten.



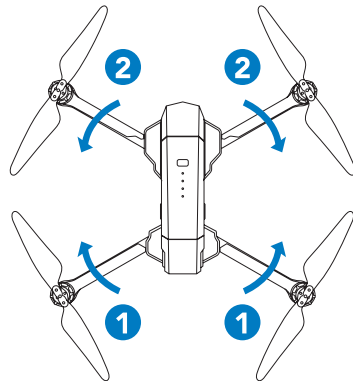
### NOTE

- It is important that the correct rotor blades are installed on the correct motors as if they are installed incorrectly the drone will not fly and you could potentially burn out the drone's motors.

## 5.2 FOLDING/UNFOLDING THE EVOLVE DRONE

The Evolve can be folded for easy storage and transport.

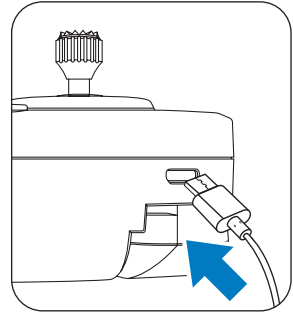
The Evolve's arms are designed to fold down in a specific order with the backward arms folding inward first and the front arms folding inward second.



### 5.3 REMOTE CONTROL

The remote control comes with a rechargeable built-in Li-ion battery 3.7 V300 mAh. When the remote control is low in power, the power indicator light on the remote will keep blinking, signaling to charge the remote control.

Connect the remote control to the charging cable and the light will glow red indicating charging is in process. The power light on remote will turn green once charging is complete. The remote control can take up to 50 minutes to fully charge.



#### NOTE:

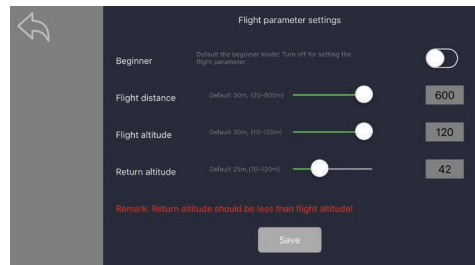
- To Power On, Please press Power On/ Off button
- To Power Off, Short press Power On/Off Button before Long pressing for 3 seconds.

### 6.0 FLIGHT SAFETY

Before flying your Evolve make sure that you are in a safe setting. CASA restrictions regarding flying drones require the drone to be no closer than 5.5 kms from any airport or airfield while flying. Drones should also not be flown higher than 120 metres above the ground, over populated areas or any closer than 30 metres from vehicles, people or animals.

It is also required that you check your surroundings before taking off making sure there are no obstacles or dangers in the area including overhead power lines and bodies of water. If there are hazards present in your intended area of flight, please consider an alternative location.

For safety, Default control of drone is set to beginner where the flight parameters are fixed. To change the parameters, Please deselect the Beginner mode in App's Flight Settings. To download App please refer **page 18**.



### 7.0 FLYING YOUR EVOLVE DRONE

Ensure that the Evolve's arm are fully extended and the battery of drone and controller are fully charged.

Please read through all of the instructions below before attempting to start the launch the Evolve drone.

## 7.1 FLYING THE DRONE WITHOUT GPS

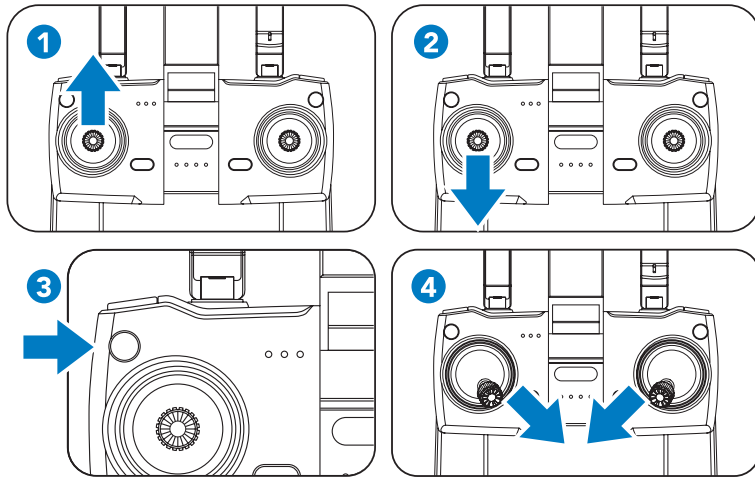
1. Adjust the top antennas of the controller to the fully extended position.
2. Power on the drone by holding the Power On button for 3 seconds and place the drone on a level section of ground free of any obstacles. The LED light of Evolve drone would be blinking red. It indicates that the drone needs to be paired to the remote controller.
3. Turn the controller on, by pressing the Power On button. Move the left thumb stick upwards for 1 second then move the left thumb stick downward for one second. The controller will beep and the lights on arms of drone will start to quickly blink in white (front) and blue (back). It means the controller and the drone have been paired successfully. Release the left thumb stick allowing it to return to the natural position.
4. Press the Headless Mode Button on the controller for 3 seconds until the controller beeps and the lights on arms of drone will start to slowly blink in white (front) and blue (back). Slow blinks shows that GPS mode has been turned off, now all the GPS functions have been disabled. Unlock the motors by simultaneously holding the left thumb stick down to 5 o'clock position while also holding the right thumb stick down to 7 o'clock position. The motors will now start spinning. To launch the drone push the left thumb stick upwards within 5 seconds of the motors being unlocked or press one key take Off/Landing Button.

### NOTE FOR INDOOR FLYING:

- Sometimes there may be an imbalance in air pressure when flying indoors, so you will need to further calibrate the drone to ensure optimum flight performance. Press the Headless Mode Button on the controller for 3 seconds and if the lights on the arms of the drone start blinking white/red (front) and blue/red (rear), then you will need to complete Horizontal and Vertical Calibration until lights turn start blinking white/blue. (Please refer to point 6-8 on **page 13**).
- If you press Headless Mode for 3 sections and the lights on the arms of the drone start blinking white/blue, then there is no need to do any indoor calibration.

### NOTE:

- You can connect to the WIFI at this time to view the real time video. Please refer to "**ZERO-X PRO EVOLVE APP**" on **page 18** on how to connect to WIFI.



## 7.2 FLYING THE DRONE WITH GPS

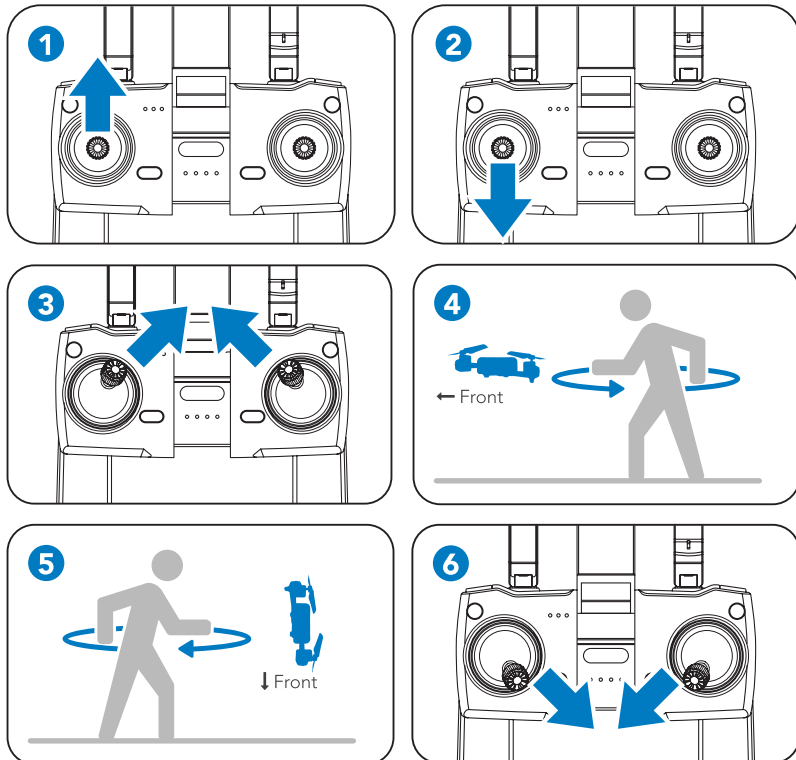
The Evolve Drone has to record the starting position coordinates before flight, it is recommended to calibrate your drone's GPS before starting every flight. See below for steps to calibrate the GPS.

1. Expand the top antennas of the controller all the way out.
2. Power on the drone by holding the Power On Button for 3 seconds and place the drone on a level section of ground free of any obstacles. The LED light of Evolve drone would be blinking red. It indicates that the drone need to be paired to the remote control.
3. Turn the controller on, by pressing the Power On Button. Move the left thumb stick upwards for 1 second then move the left thumb stick downwards for one second. The controller will beep and the lights on arms of drone will begin to blink quickly in white (front) and blue (back). It means the controller and the drone have been paired successfully. Release the left thumb stick allowing it to return to the natural position. (Fig 1 & 2 on **page 14**).
4. Connect the WIFI of drone and open the App to view real time information. Please check **page 18** for App connection (Optional).
5. Simultaneously hold the left thumb stick up and to the right (2 o'clock) while holding the right thumb stick up and to the left (11 o'clock). The light on arms of drone will start to quickly blink in white/red (front) and and blue/red (rear). The App status will change to: **"Compass Calibration"**. (Fig 3 on **page 14**).
6. To begin horizontal calibration, pick up the Evolve drone and rotate it horizontally clockwise with the front camera facing away from you until the rear lights switches to a solid violet colour. (Fig 4 on page 14).
7. To begin vertical calibration, pick up the Evolve drone and face the front camera towards the ground. (Fig 5 on **page 14**).

8. Rotate the drone in its vertical axis continuously. The Front lights will become solid violet with the App status: **"Compass Calibration Okay"**. Drone has been calibrated and will start searching for the GPS, the LED light on drone's arm will turn to a fast blinking white. This process will take a some minutes depending on the overcast conditions. The drone must be outdoors for GPS connection to function correctly.
9. App status: **"Waiting for GPS signal"**.
10. Once the lights on the drone's arm turn to solid white (front) and blue (back) and the App status turns to: **"Ready to Fly"**, then the drone is ready for take off. Unlock the motors by simultaneously holding the left thumb stick down to 5 o'clock position while also holding the right thumb stick down to 7 o'clock position. (Fig 6 on **page 14**).
11. The motors will now start spinning, to launch the drone push the left thumb stick upward within 5 seconds of the motors being unlocked or press one key take off/landing button.

**NOTE:**

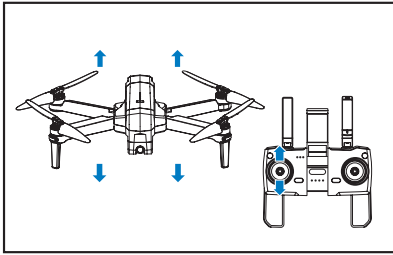
- With its brushless powerful motor, please ensure safe distance from the drone before unlocking its motors.





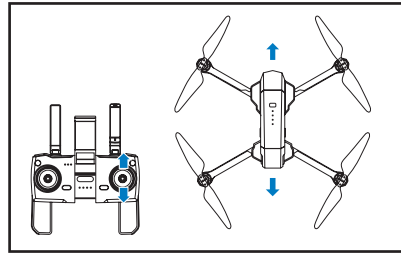
## 8.0 BASIC FLIGHT

### UP AND DOWN



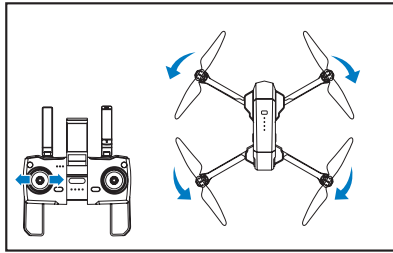
Push the left control stick up to gain altitude and down to descend.

### FORWARD AND BACKWARDS



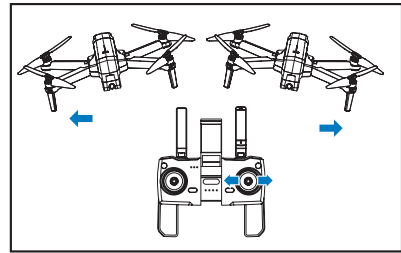
Push the right control stick up and down to fly forward and backwards.

### ROTATION



Push the left control stick left and right to pivot left/right.

### LEFT/RIGHT FLIGHT



Push the right control stick left and right, to fly left/right.

## 9.0 TRIMMING WITH NO GPS

Trimming is used to balance the Evolve when flight is off centered.

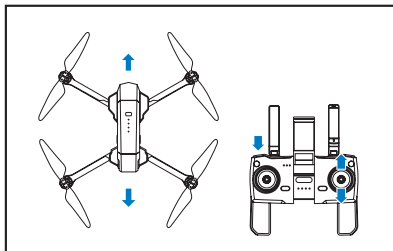
Press the photo button for 3 seconds and you will enter the trim mode, then press the direction stick to trim the drone.

To stop trimming, press the photo button again.

### NOTE:

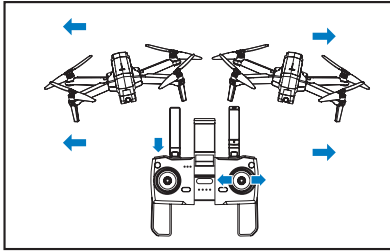
- Trimming is only available when there is NO GPS mode.

### TRIM FORWARD/BACKWARDS



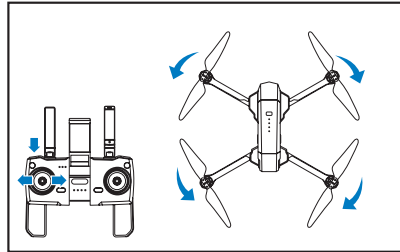
When the drone is hovering in place, and starts to drift forward, press the right control stick backwards until it's stable. If it drifts backwards, press the right control stick forward until it's stable.

## TRIM LEFT/RIGHT FLIGHT



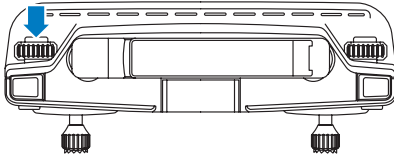
When the drone is hovering and starts to drift to the side, push the right stick to the left/right until the drone is stable.

## LEFT/RIGHT TRIM



If the drone keeps rotating to the left, press the left direction stick to the right until it's stable. When the drone keeps rotating to the right, press the left thumb stick to the left until it's stable.

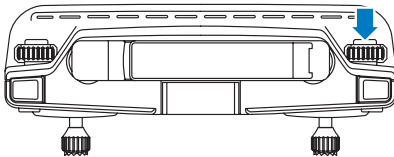
## 10.0 SPEED MODE



The Evolve Drone has 2 speed modes that control the acceleration and maneuverability of the drone.

To cycle through the Speed Modes, use the Speed Button on the top left of controller.

## 11.0 CAMERA ANGLE ADJUSTABLE



In order to record the scene from different angles, Evolve has an automatic camera gimbal.

Spin the camera angle button to adjust the camera up and down, so you can view and record from different angles.

### **WARNING:**

**PLEASE DO NOT MOVE THE CAMERA MANUALLY AS IT CAN DAMAGE THE GIMBAL AND CAMERA.**

## 12.0 TAKING OFF / LANDING & EMERGENCY LANDING

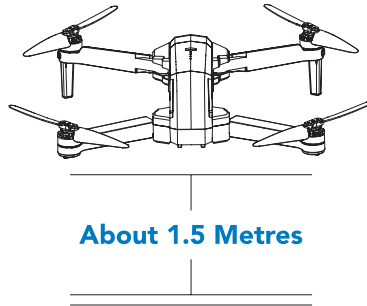
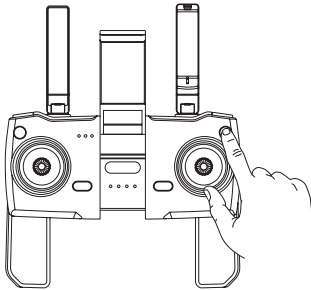
When the Evolve Drone has been paired successfully and the motors have been unlocked, the rotors blades will start spinning, press the Take off/ landing button, the drone will take off at an altitude of about 1 and a half metres. (Always keep the camera of drone facing forward, not facing you.)

To Stop the motor, press Take off/landing button, the drone will land automatically. Remember to always hold on the remote control as long as the motor is still spinning.

Press Take off/landing button for 3 seconds for the Emergency Landing.

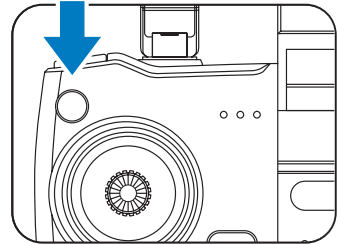
**NOTE:**

- When Emergency Landing Mode is activated the rotor blades will lock and the drone will fall to the ground. It is highly recommended that you do not push this button unless it is an emergency.

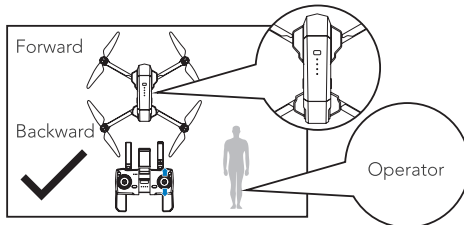


**13.0 HEADLESS MODE**

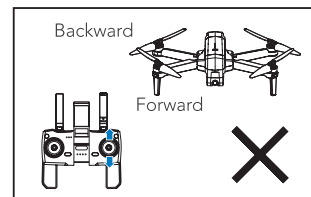
1. Press the headless mode button on the controller (shown in diagram to the right). The remote control will beep once indicated that headless mode has been enabled. To stop headless mode, press the headless mode button again; the controller will beep again.



2. When headless mode is enabled, the drone will move in the direction of the remote control, regardless of its orientation. This makes it easy to bring the drone home when it is far away from you.
3. When using headless mode, the camera of the drone must point in the direction of flight; the back of the drone should be facing the pilot. See below.



The correct take off position.



The incorrect take off position.

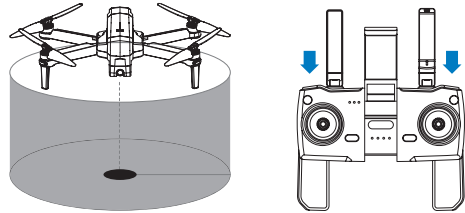
## 14.0 FLY AROUND-ME MODE

When activated, Fixed point encircling will make the Evolve circle around the desired point of interest.

1. To activate Fly Around-Me Mode, while drone is in air, aim the Evolve at the desired point of interest Press photo and video button on remote control simultaneously, it will set the drone fly surround radius range (within 2-10 metres).
2. Press photo and video button on remote control simultaneously again, then the drone will start flying around point of interest at the radius range you just set.
3. Move the right direction control stick to cancel the orbit flight function.

### NOTE

- If the surround radius range is less than 2 metres, the drone will default to a 2 metre radius for safety purposes.



## 15.0 ZERO-X PRO EVOLVE APP



The Evolve drone has built in WIFI connection which is used to wirelessly connect your Smartphone to your Evolve drone allowing you to view the camera's live view, trigger recording, control and fly your Evolve drone.

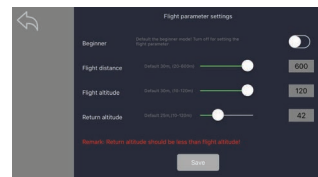
To connect your Smartphone to the Evolve drone please follow the instructions below.

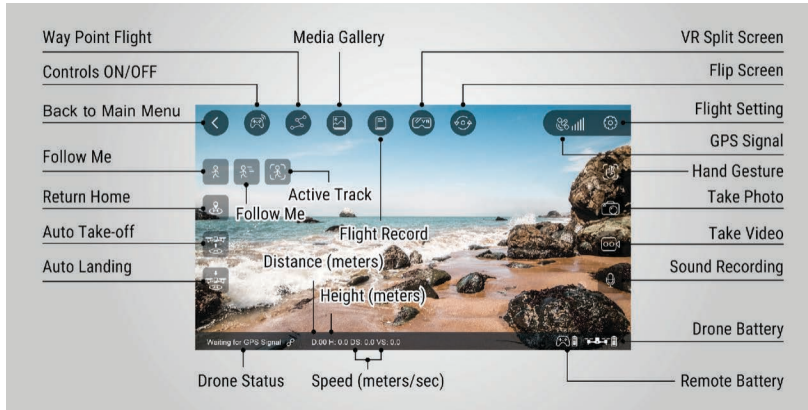
Go to Google Play store if you are using an Android Smartphone, or the Apple Store if you are using an iPhone and search for the App named "ZXP-EVE", once located please download and install the App.

Connect the App, then go into the WIFI settings on your smartphone and select the connection named ZXP-EVE\_XXXX (XXXX will be your unique drone number). Once connected, open the ZXP-EVE App on your smartphone.

### NOTE:

- To take off the drone, please wait until the drone status says "**Ready to Fly**", this will ensure that your drone's GPS has Synced successfully. For safety, Default control of drone is set to beginner where the flight parameters are fixed. To change the parameters, Please deselect the Beginner mode in the Evolve App's Flight Settings.





## 16.0 FOLLOW ME MODE (GPS MODE ENABLED)

To activate the Follow-Me Function, the drone will follow your smartphone wherever you go. Please make sure the smartphone is connected with your Evolve drone successfully and the Zero-X Evolve App is installed and opened.

1. Fly the drone minimum 3 metres and maximum 30 metres away from the player (holding smart phone).
2. Click the follow me icon on your App.
3. The App will show **"Follow Me Ready"**, then the drone will start following the smartphone.
4. Click the follow me icon again to stop this function.

### NOTE

- Follow Me mode depends on the GPS signal. The GPS signal can vary depending on amount of buildings, trees, mobile towers or congestion from too many mobile phones in vicinity.
- Please fly the drone in open areas. The Evolve Drone is not equipped with obstacle avoidance.

## 16.1 ACTIVE TRACK

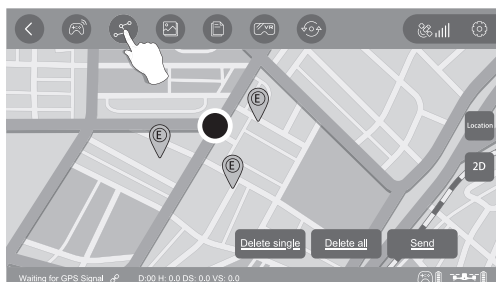
To active track function, the drone will follow the image which we circle on App.

1. Click the active track button, a square will come out on App interface, then mark out the image which you want to track.
2. The drone will track this image, when the image moves, the drone will move accordingly.

## 16.2 WAY POINT FLIGHT (GPS MODE ENABLED)

To active the way point flight, the drone will fly according to the path which you have set. Please make sure the smartphone is connected with your Evolve drone successfully and the App is working. Also make sure that you have downloaded and saved the local map onto your smartphone.

1. Click the way point flight button on App, you will see a circle (parameter for flight path) and drone current position on the map.
2. Please mark the points (max 16 points) you plan to fly within the red circle range on the map, and click send, then the drone will fly according to this path.
3. Push the direction stick to stop the way point flight.
4. For reset the flight path, click delete single or delete all, then click send and you can reset new path again.



## 16.3 RETURN HOME (GPS MODE ENABLED)



The Return Home Button will initiate the automatic landing sequence. Please make sure there are no obstructions, people or animals under the drone when this is selected.

After pressing the Return home button, it will first elevate and then return back. If the drone is not connected with the

App, Please press the Return to home button on controller for drone to safely land at the starting point.

### SMART RETURN TO HOME

Press the return to home button on your remote control or click the return to home on your App, the remote control will start beeping. Your drone will return to the take off point recorded by its internal GPS. To stop return to home function, please press the return to home button again.

### LOW BATTERY RETURN TO HOME

When the drone senses the battery level is low, the drone will fly back to a place which is about 100 feet from the take off point and you will still be able control the drone.

When the battery of drone is almost empty, the drone will fly back to the take off point.

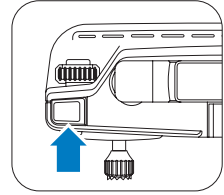
**Drone will return home if there is loss in connection with controller.**

**NOTE:**

- The drone is not equipped with obstacle avoidance.

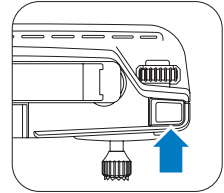
**16.4 PHOTO MODE**

Press the photo button on remote control or click the photo icon on App. A picture will be showed on App means photo has been captured. If not connected with app, please press the top left button on the controller to take a picture.



**16.5 VIDEO MODE**

Press the video button on remote control or click the video icon on App. The video recording time will be shown on your App means video is being recorded. If not connected with app, please press the top right button on the controller to take a video.



**16.6 VIEWING PHOTOS AND VIDEOS**

To view your recorded footage and videos you will need to connect the Micro SD card to your computer via either a USB Micro SD card reader or via an SD card converter if your computer has an SD card reader. (Not provided) or you can click the media gallery on your app to view the picture and video.

**NOTE:**

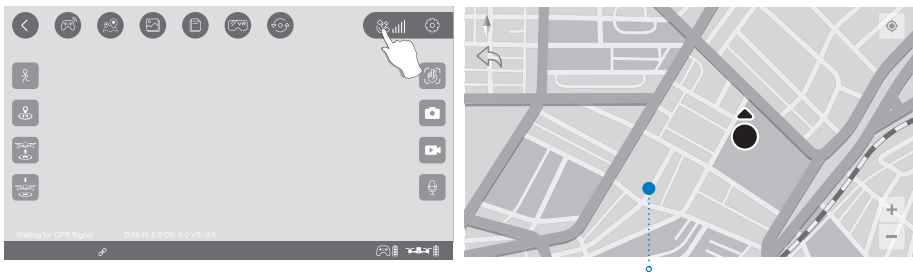
- Quality of videos or photos recorded on your smart phone would be descaled to save space.

**16.7 HAND GESTURE**

Click the hand gesture icon on APP,the drone will take video when the player make with gesture "☞" and the drone will take photo when player make with gesture "☜".

**17.0 ACTIVATING SEARCH FUNCTION FOR THE LOST EVOLVE DRONE**

1. Press the GPS signal button 3 times to open the Map surface to search the drone.
2. The last position of lost drone will be appear on the map.



Current Position of the drone.

## 17.1 DRONE MAINTENANCE

Avoid exposing your Evolve and its accessories to dust, sand and moisture as these can damage the Evolve. If the Evolve is exposed to dust or sand, use a soft brush to remove any visible particles.

## 17.2 REPLACEMENT PARTS

We understand that it's not always easy learning how to fly a drone, and sometimes a close call can turn into a crash landing. To thank you for your support of Zero-X and your drone purchase, we would like to help you build you confidence in learning how to fly your drone. We would like to offer you 50% off your first two orders of any spare parts, by using the codes in the coupons below.

There you will be able to find and buy the spare parts listed below.

Visit [www.zero-x.com.au](http://www.zero-x.com.au) to make your purchase.

- Battery
- Rotor Blades
- Front Arm & Motor Set A
- Front Arm & Motor Set B
- Rear Arm & Motor Set A
- Rear Arm & Motor Set B





## 18.0 WARRANTY TERMS & CONDITIONS

Our goods come with guarantees that cannot be excluded under the Australian and New Zealand Consumer Law. You are entitled to a replacement or refund for a major failure and for compensation for any other reasonably foreseeable loss or damage. You are also entitled to have the goods repaired or replaced if the goods fail to be of acceptable quality and the failure does not amount to a major failure.

This warranty is provided in addition to your rights under the Australian & New Zealand Consumer Law.

Zero-X warrants that this product is free from defects in material and workmanship for a period of 12 months from the date of purchase or for the period stated on the packaging. This warranty is only valid where you have used the product in accordance with any recommendations or instructions provided by Zero-X.

This warranty excludes defects resulting from alterations of the product, accident, misuse, abuse or neglect.

In order to claim the warranty, you must return the product to the retailer from which it was purchased or if that retailer is part of a National network, a store within that chain, along with satisfactory proof of purchase. The retailer will then return the goods to Zero-X. Zero-X will repair, replace or refurbish the product at its discretion. The retailer will contact you when the product is ready for collection. All costs involved in claiming this warranty, including the cost of the retailer sending the product to Zero-X, will be borne by you.

**Zero-X Address:** 33 Quinn Drive, Keilor Park Victoria 3042 Australia

**Ph:** +61 03 8331 4800

**Email:** [service@zero-x.com.au](mailto:service@zero-x.com.au)

19.0 NOTES

---



---



---



---



---



---



---



---



---



---



---



---



---



---



---



---



---



---



---



---



---

---

---

---

---

---

---

---

---

---

---

---

---

---

---

---

---

---

---

---

---

---

---

---

---

---

---

---

---

Capture the skies.™

**ZERO-X**

[www.zero-x.com.au](http://www.zero-x.com.au) | [www.zero-x.co.nz](http://www.zero-x.co.nz)



All Images, Information and Content are  
Copyright © 2019 Directed Electronics  
Australia Pty Ltd. All Rights Reserved.

© Zero-X v1.0 2019